



浙江芯芯电子有限公司  
ZHEJIANG XINXIN ELECTIRICAL CO., LTD.

# 产品规格书

## Specification of Products

产品名称：桥式整流器

产品型号：KBPC50A

浙江芯芯电子有限公司

ZHEJIANG XINXIN ELECTIRICAL CO., LTD.

地址：浙江省缙云县壶镇镇浙江丽缙五金科技产业园苍山区块内

电话：13857067071

邮编：321404

E-mail:247145749@qq.com

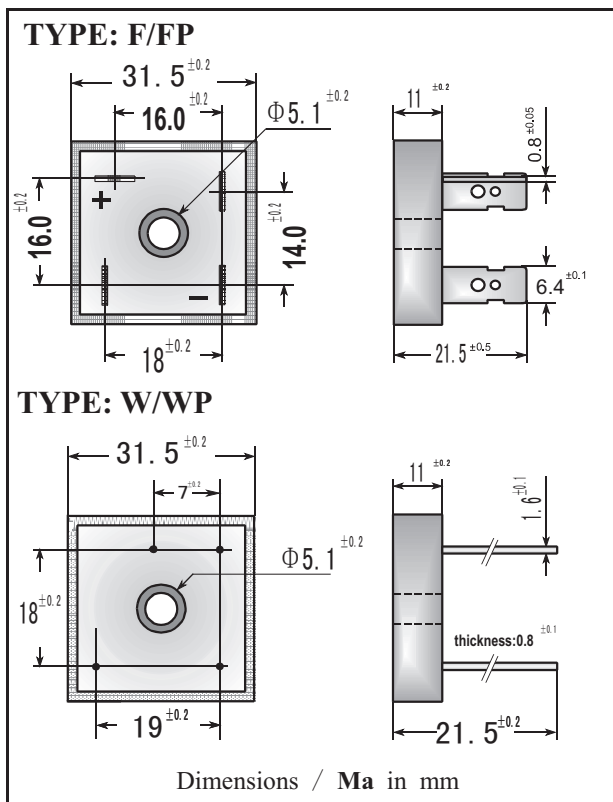
<http://www.zjxxdz1.com>

拟制	审核	核准
丁国盛	李园利	麻伟阳

版本号：04 更新日期：2022.6.28

## Silicon-Bridge Rectifiers

KBPC 50A



Nominal current 50 A

Alternating input voltage 70-1000 V

Plastic case with alu-bottom (Index P)

Dimensions 31.5 x 31.5 x 28.5 [mm]

Weight approx. 23 g

Standard packaging bulk

### Maximum ratings

### Grenzwerte

Type	Alternating input volt. $V_{VRMS}$ [V]	Rep. peak reverse voltage $V_{RRM}$ [V]
KBPC5001	70	100
KBPC5002	140	200
KBPC5004	280	400
KBPC5006	420	600
KBPC5008	560	800
KBPC5010	700	1000
KBPC5012	800	1200
KBPC5014	900	1400
KBPC5014	1000	1600

Repetitive peak forward current  $f > 15$  Hz  $I_{FRM}$  150 A

Peak forward surge current, 50Hz half sine-wave  $T_A=25$  °C  $I_{FRM}$  500 A

Rating for fusing,  $t < 10$  ms  $T_A=25$  °C  $i^2t$  1250 A<sup>2</sup>s

Operating junction temperature  $T_j$  -40...+150°C

Storage temperature  $T_s$  -40...+150°C

## Silicon-Bridge Rectifiers

KBPC 50A

### Characteristics

### Kennwerte

Max. current with cooling fin 300 cm <sup>2</sup>	T <sub>A</sub> =50°C	R-load	I <sub>FAV</sub>	50.0 A
Forward voltage	T <sub>j</sub> =25°C	I <sub>F</sub> =25A	V <sub>F</sub>	< 1.2 V
Leakage current	T <sub>j</sub> =25°C	V <sub>R</sub> =V <sub>RRM</sub>	I <sub>R</sub>	< 10 μ A
Isolation voltage terminals to case			V <sub>ISO</sub>	>2500 V
Thermal resistance junction to case			R <sub>thC</sub>	< 2.0 K/W
Admissible torque for mounting		M 5		2 ± 10 % Nm

